

SUPERLIFT 36-2XC EF

SUPERLIFT 32-2XC EF

Electrohydraulic underbody double scissors type lift, for tyre specialists, car workshops, and body repairers.



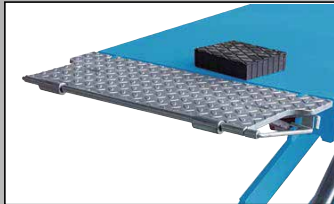


SUPERLIFT 36-2XC EF - SUPERLIFT 32-2XC EF

Electrohydraulic underbody double scissors type lift, for tyre specialists, car workshops, and body repairers.
Alignment of the runways with a dual **MASTER/SLAVE** circuit (**two cylinders per runboard**) without mechanical safety racks.
Runboards version with flaps (**F**).

All models available in both on-floor and flush installation versions.

Adjustment bolts with rubber to cushion the end of the stroke



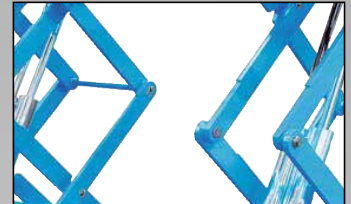
Runways with suspended flaps which also act as vehicle access ramps.



Generously sized, self-lubricating sliding blocks.



Special **lift linkage**, for lifting loads even from the lowest lift height.



Unique arm geometry for **maximum stiffness and minimised space usage.**

TECHNICAL DATA

Model	36-2XC EF	32-2XC EF
Lift capacity	3600 kg	3200 kg
Lifting time	45 s	
Three phase motor	230/400V - 3kW 3Ph - 50/60Hz	
Single phase motor	230V - 3kW 1Ph - 50/60Hz	
Max. lifting height	1890 mm	
Lift min. height	110 mm	105 mm

SUPPLIED ACCESSORIES

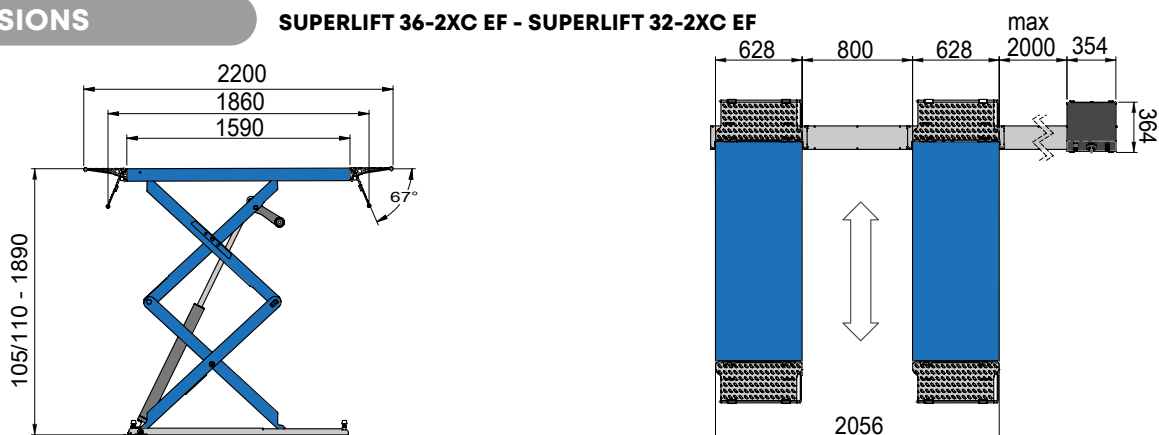
- Self-lubricating bushings on all rotating parts
- Set of 4 rubber pads

OPTIONAL

- Pair of cross pieces and pads for off-road vehicles.
- Kit for pit installations.

DIMENSIONS

SUPERLIFT 36-2XC EF - SUPERLIFT 32-2XC EF



The manufacturer reserves the right to modify the features of its products at any time.



NEXION S.p.A.
www.hpa-faip.it - info@hpa-faip.it

Designed in
ITALY