

SUPERLIFT 35-1 XC B

Reversible low-profile electrohydraulic scissors lift for cars, SUVs and vans



Alignment ensured by two robust anti-torsion bars

Robust structure of scissors, offering great lateral stability

Hot galvanized base as standard, painted scissors, runways and ramps

3500



Start lever from zero position to maximum height





HYDRAULIC SYSTEM

Redundant hydraulic system with two cylinders per runway, without the need for compressed air and mechanical safety devices.



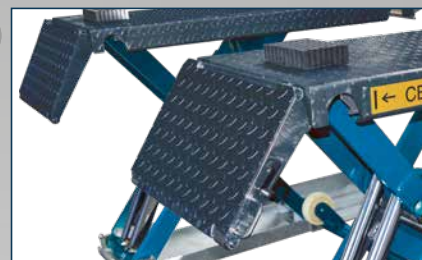
CONTROL UNIT

Low voltage control unit with "dead-man" control system.

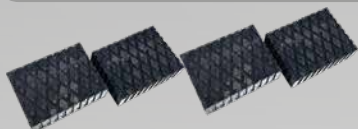


RUNWAYS WITH FLAPS

Runways with hung flaps, which also serve as ramps to get the vehicle on. Their "almond-shaped" structure ensures good manoeuvrability even in wet conditions.



STANDARD ACCESSORIES



RUBBER BLOCKS
Kit of 4 pcs H=40 mm

RECOMMENDED ACCESSORIES



**8-41100228
KIT ON CARRIAGE**
Consisting of wheels and manual lever



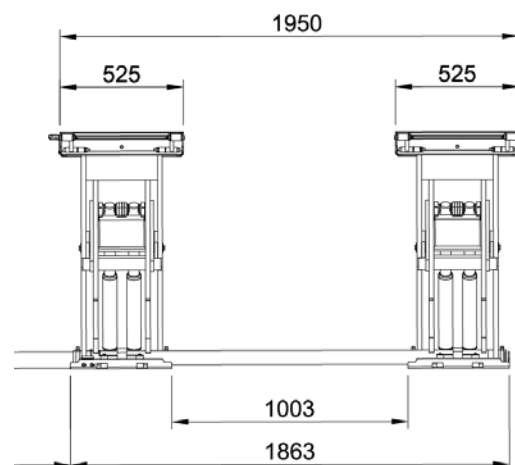
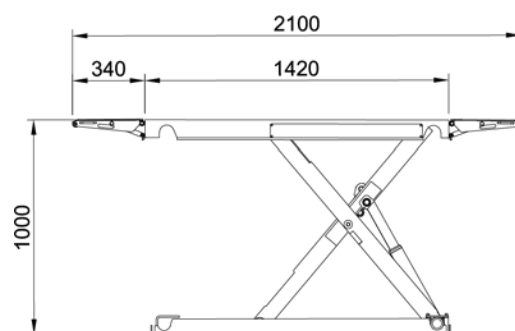
**8-42300027
RUBBER BLOCKS**
Kit of 4 pcs H=80 mm

See separate catalogue for further accessories.

TECHNICAL DATA

Lift capacity	3500 kg
Maximum lifting height	895 mm
Minimum lifting height	105 mm
Working height	1000 mm + tamponi gomma
Lifting/lowering time	16 s
Hydraulic unit	2.2 kW
Voltage	230/400V - 3Ph - 50/60Hz

DIMENSIONS



The manufacturer reserves the right to modify the features of its products at any time.



NEXION S.p.A.
www.hpa-faip.it - info@hpa-faip.it

Designed in
ITALY