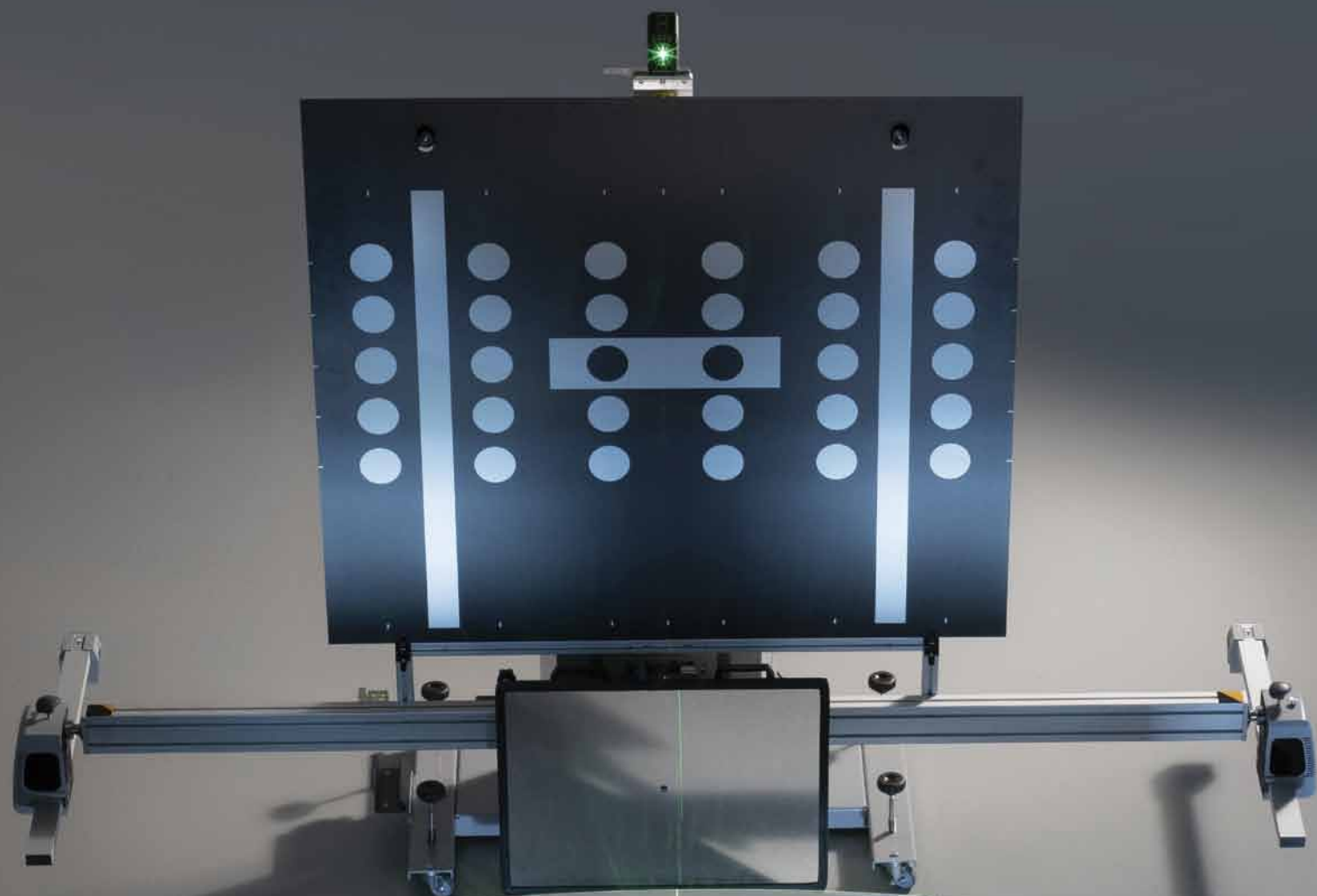


PROADAS

CALIBRATION SYSTEM
QUICK, ACCURATE, ERGONOMIC, INTUITIVE



PROADAS is the universal modular system developed for check and **calibration of driver assistance systems** (front sensors), **check of the alignment status** and **complete wheel alignment service** (optional) on multi-brand vehicles and commercial vehicles.



ALL IN ONE
ALL IN A SINGLE PRODUCT

**THE QUICKEST
SYSTEM
ON THE
MARKET**

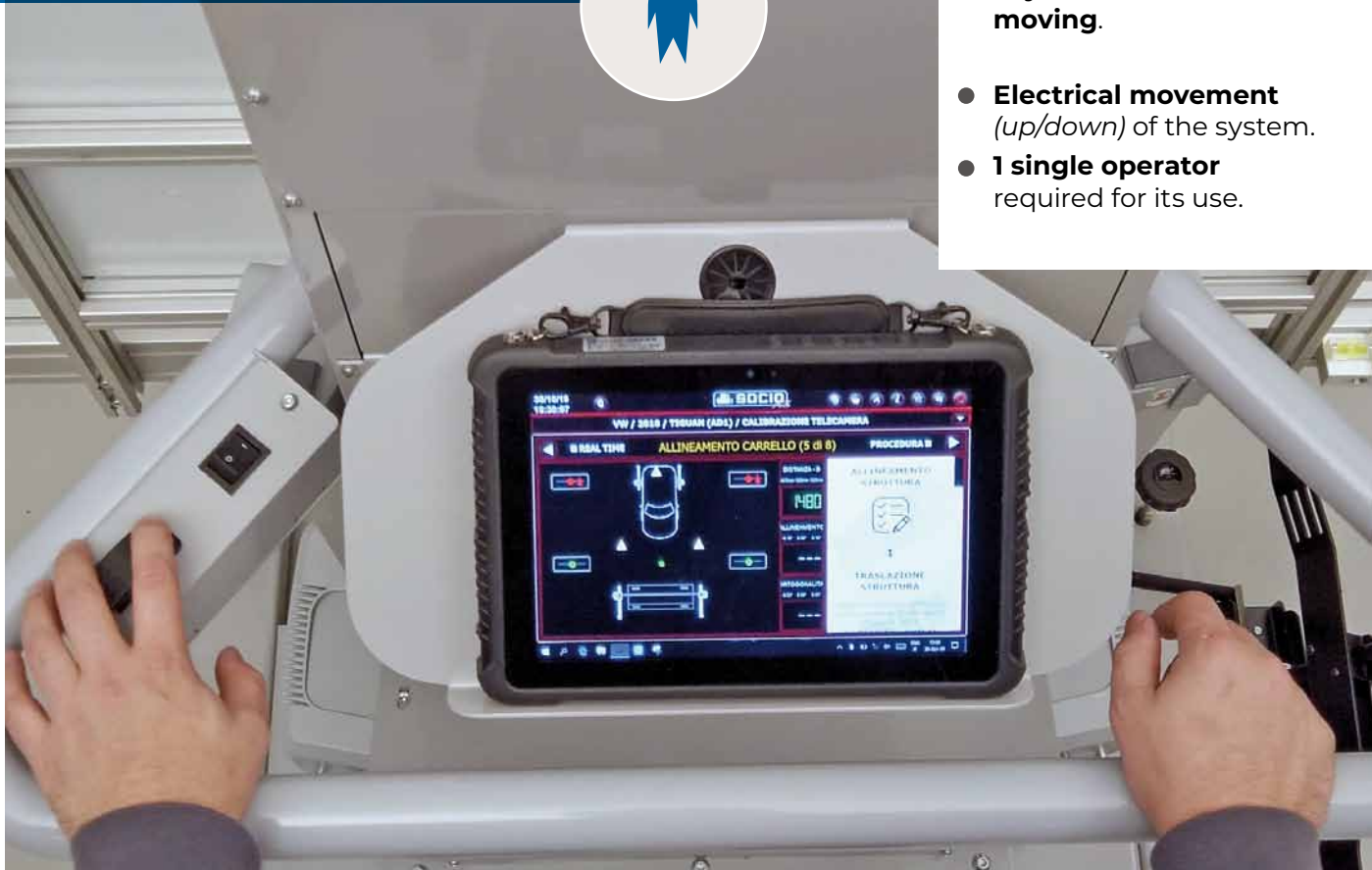


- **Quick, accurate and user-friendly**
- **Compliant** with the procedures of vehicle manufacturers
- Meets the needs of:
 - **mechanical workshops,**
 - **body shops,**
 - **car glass repairers,**
 - **wheel specialists**

ERGONOMICS



- Ergonomic working position. Thanks to its design **the operator performs all adjustments without moving.**
- **Electrical movement** (up/down) of the system.
- **1 single operator** required for its use.



PRECISION

Maximum precision and accuracy thanks to the integrated technology, **Optical sensors** and **contactless distance sensors**



- Immediate system positioning thanks to the information communicated in real time by the **integrated wireless devices** (PATENT PENDING).

- **Error-proof.**
The software contains the **preloaded** positioning values. It displays the point where it is and **guides** the system in its operations.



ACCURATE ADJUSTMENT



- Through specific knobs it is possible to **align accurately and quickly** the system PRODAS with respect to the vehicle
- **Operator immediately productive!**
- **Simplified procedures** within the software **guide the operator** step by step in the alignment and calibration of the ADAS system

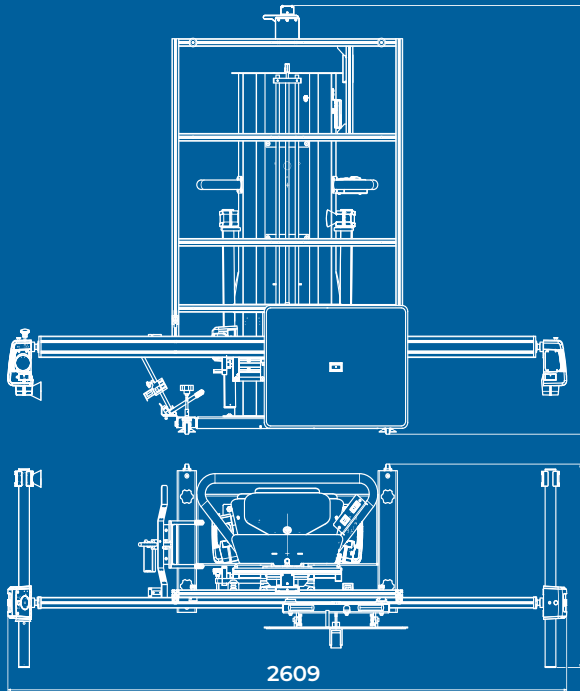


PLUG & PLAY



- Using the **Optical sensors** it is possible to check the **alignment status of the vehicle**
- It is possible to convert the PROADAS into a **complete wheel alignment service station.** (Optional)





Technical data

Maximum dimensions:
 Width **2609**mm
 Depth **861**mm
 Height **2850**mm
 Weight **142**kg



REPORT

- Incoming vehicle status
- PROADAS positioning registration
- Outgoing vehicle status
- Wheel alignment check
- Wheel alignment registration (optional)

WHEN A SENSOR CALIBRATION IS REQUIRED



Accident repairs



Minor repairs



Wheel alignment



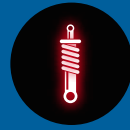
Problem solving



Service



Windscreen replacement



Tuning



Sensor replacement



Compatibility with vehicles positioned on lift or another structure, the software compensates the offset of the levelled surface on which the vehicle is placed



Compatibility with **CCD/CMOS** wheel aligners manufactured by HPA-FAIP (check year of manufacture and model); after completing the vehicle alignment it is possible to perform an ADAS calibration by launching the calibration software procedure and aligning the system using the Optical sensors of the wheel aligner and the wireless distance sensors

PROADAS

WE CALIBRATE SAFETY



hpa-faip.it

