

P2C 255 C

P2C 245 C

Electro-hydraulic two post lifts with top connection

Possibility of installation in symmetrical or asymmetrical version



5500



4500



HPA

faip



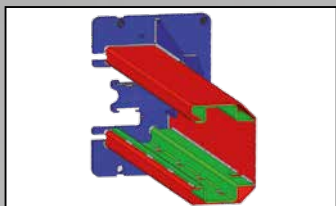


Electro-hydraulic two post lifts with top connections. Possibility of installation in **symmetrical** or **asymmetrical** version. Realignment of the two carriages using metal cables that guarantee excellent synchronisation.

Standard height of two-post connection: 4,050 mm.

Available versions (with optional column extension set):

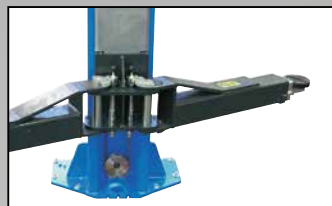
- **V**: Specific for vans (Height of two-post connection: 4,620 mm).
- **XV**: Specific for vans and very high vehicles, extra-high version (Height of two-post connection: 5,220 mm).



Internally reinforced column structure for little bending and internal cable guiding.



Electro magnet safety release 24V.



Rubber door protections. **Toothed sector arm rotation stop system.**



Four **three-section symmetrical arms.**

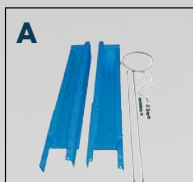
TECHNICAL DATA

	P2C 255 C	P2C 245 C
Lift capacity	5500 kg	4500 kg
Lifting time	45 s	45 s
Motor	400/230V-3kW-3ph-50 Hz	400/230V-3kW-3ph-50 Hz
Lift max. lifting height	2062 mm	2062 mm
Max. locking position	1957-2037 mm	1957-2037 mm
Lift minimum height	115 mm	115 mm
Height connection	4050/4620/5520 mm	4050/4620/5520 mm

SUPPLIED ACCESSORIES

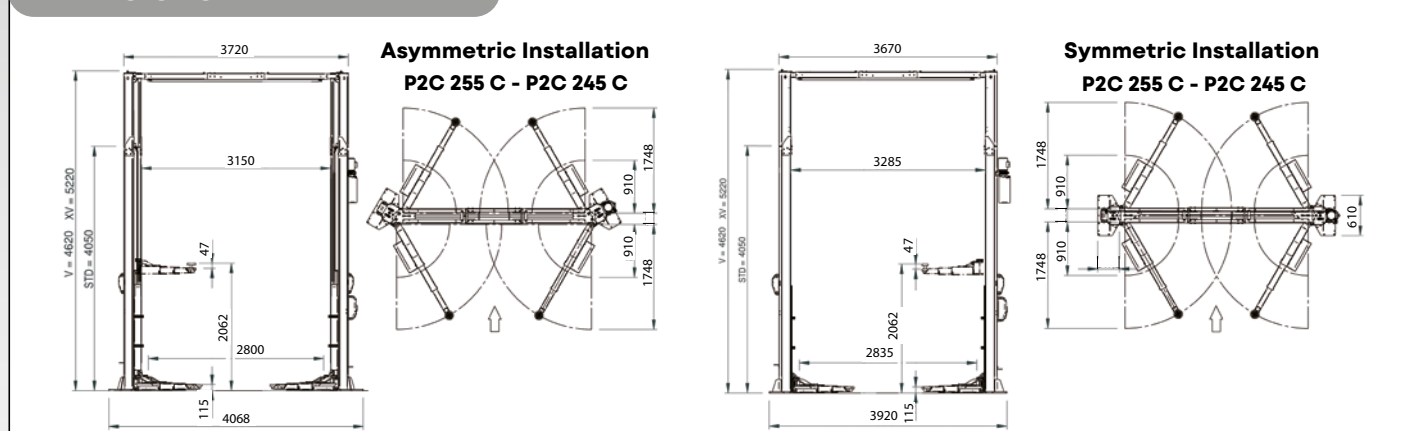
- Safety stop-bar included as standard.
- Two set of extension pads h=80 mm and h=180 mm

OPTIONAL



A - Column extension set

DIMENSIONS



The manufacturer reserves the right to modify the features of its products at any time.



NEXION S.p.A.
www.hpa-faip.it - info@hpa-faip.it

Designed in
ITALY