

NEW

TEST AND GARAGE EQUIPMENT

SPEEDO
HIGH SPEED BALANCING



HPA
faip



Electronic wheel balancer
for car, van
and motorcycle wheel

B 345 C - B 345
Evo Touchscreen

B 345 C - B 345 Evo Touchscreen

Electronic wheel balancer for car, van and motorcycle wheel



Function features

1. TOUCHSCREEN INTERFACE

- ❑ The 22" TOUCHSCREEN is wide, industrial and resistive.
- ❑ The graphical interface and touchscreen technology simplify and speed up operations and work programme selection.

2. MULTIFUNCTION button to speed up selection in the various work programs

3. AUTOSEL EVO

New digital gauge for diameter and distance acquisition. Equipped with the new AUTOSEL EVO function that automatically activates balancing programs avoiding selections from keyboard. It guides the operator in the selection of the alloy rim internal planes without errors and with excellent visibility, precision and speed through a laser pointer integrated in the measuring arm.

Eliminates measurement errors - Guide the operator - Extreme visibility, speed & precision - Maximum smoothness

4. HLC & EASY ALU FUNCTIONS

Three modes to position the adhesive weights: extremely fast using the **laser pointer** at 6 o'clock, with the weight holder clip, or manually at 12 o'clock.



5. SMD Automatic sensor (Optional)
Sonar Measurement Detector for contactless measurement of wheel width (optional).

Every programme for the professional



CW Control Weight - Special programme collection including MINIMAL WEIGHT which reduces work times (20%) and the amount of counterweights used (30%).

Attractive and original design, in remarkable dimensions

**B 345 C - B 345 Evo
Touchscreen**



6. AUTOMATIC POSITIONING & LED LIGHT

- **Automatic positioning** - At the end of the spin the wheel is braked and automatically brought to the balancing position (RPA).
- The integrated **LED light** illuminates the work area to facilitate rim cleaning and application of the counterweights.



7. TYRE SET CONTROL

Special tool for the vehicle wheel set diagnosis. Once all the wheels have been memorised, the B 345 C Evo Touchscreen proposes how to best position them on the vehicle, ensuring the comfort and safety of the vehicle.

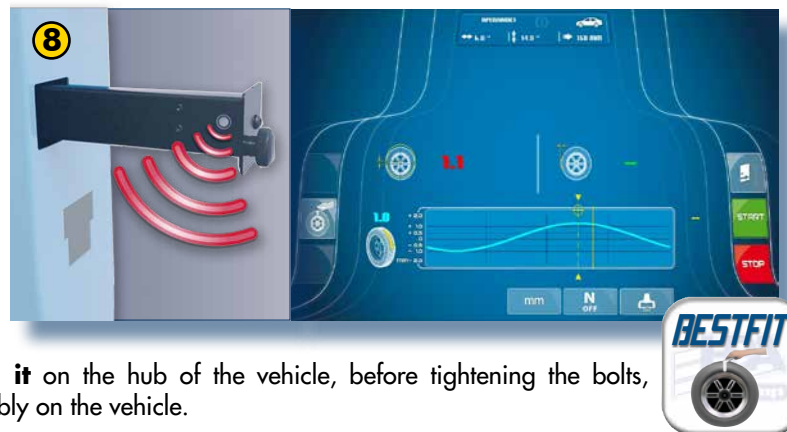


8. SONAR RUN-OUT & BEST FIT

Diagnosis system for wheel radial run-out that causes vibrations that cannot be fixed with a simple wheel balancing.

The presence of the sonar RUN-OUT sensor automatically activates the new BESTFIT software function which **indicates on the screen the point of highest**

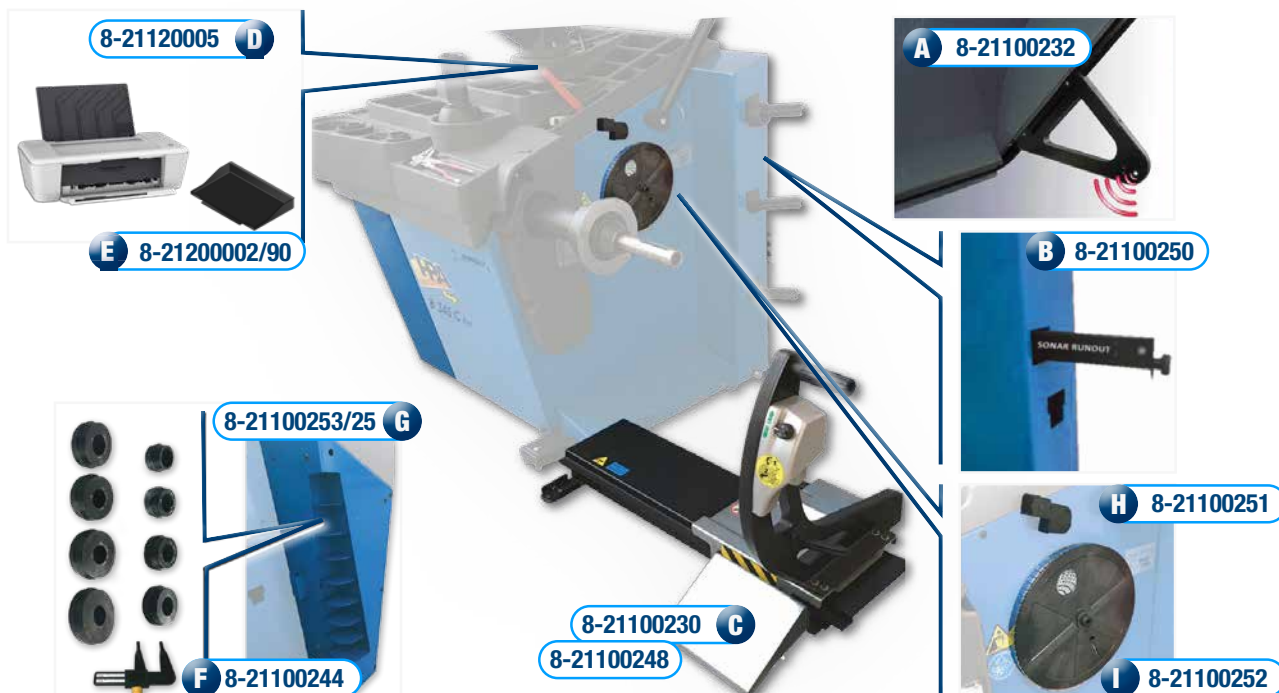
wheel run-out and suggests how to mount it on the hub of the vehicle, before tightening the bolts, in order to eliminate vibrations directly during the assembly on the vehicle.



Dotazione

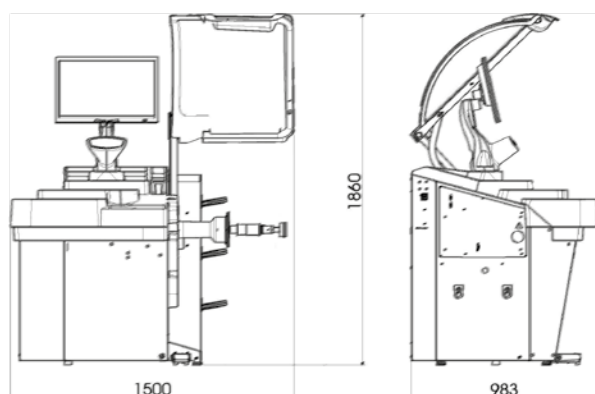


Optional accessories



- | | |
|--|--|
| <p>A. SMD, Contactless width sonar measuring sensor</p> <p>SONAR RUN-OUT DETECTOR KIT (ROD KIT).</p> <p>B. The special ROD kit can transform the B 345 TOUCHSCREEN into a model with diagnostic functions.</p> <p>C. SL-Ø (automatic) and SL-R (manual) "WEIGHTLESS EFFECT" wheel lifts that eliminate operator effort, speed up daily operations and ensure perfect centring</p> <p>D. Ink jet colour USB A4 printer</p> <p>E. Printer support</p> | <p>F. HPC Set of 8 double-sided collets with low tapering and high precision</p> <p>Support column RAL 5015 for 8 HPC double-sided collets.</p> <p>G. For wheel balancers with colour other than standard RAL 5015, use code 8-21100253/64 RAL 7016</p> <p>H. Dispenser kit for adhesive counterweights</p> <p>I. Adhesive counterweight reel. Iron roll (5 g x 1200 pz)</p> |
|--|--|

Dimensions



Technical data

Supply voltage	100/230V - 1Ph - 50/60Hz
Power absorption	400 W
Balancing speed	75 - 85 - 98 rpm
Maximum unbalance value	999 g - 35,3 oz
Resolution	1 g - 0,0353 oz
Average measurement time	5,5 s
Shaft diameter	40 mm - 1,57"
Rim width setting range	1.5" ÷ 20"
Rim diameter setting range	1" ÷ 35"
Rim diameter measurement range	10" ÷ 28"
Max. wheel width (with guard)	600 mm (23,6")
Maximum wheel diameter (with guard)	1117 mm (44")
Maximum wheel/machine distance	275 mm (10,82")
Maximum wheel weight	75 kg
Machine weight	145 kg